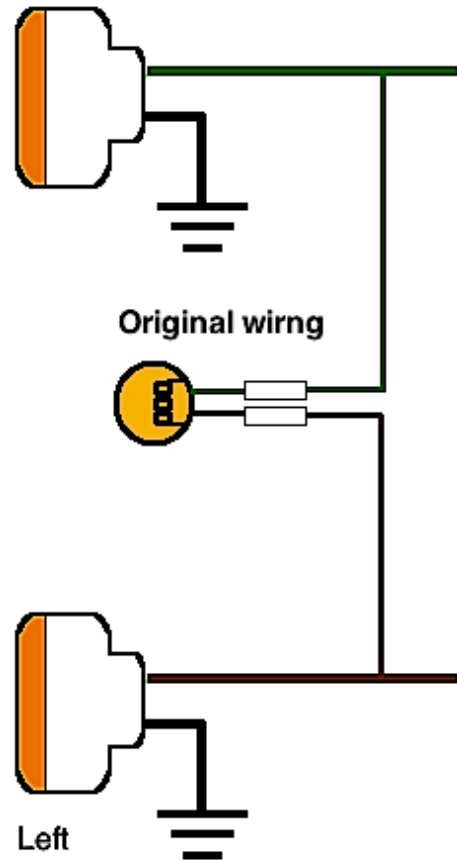


## Indicator tweak Kit

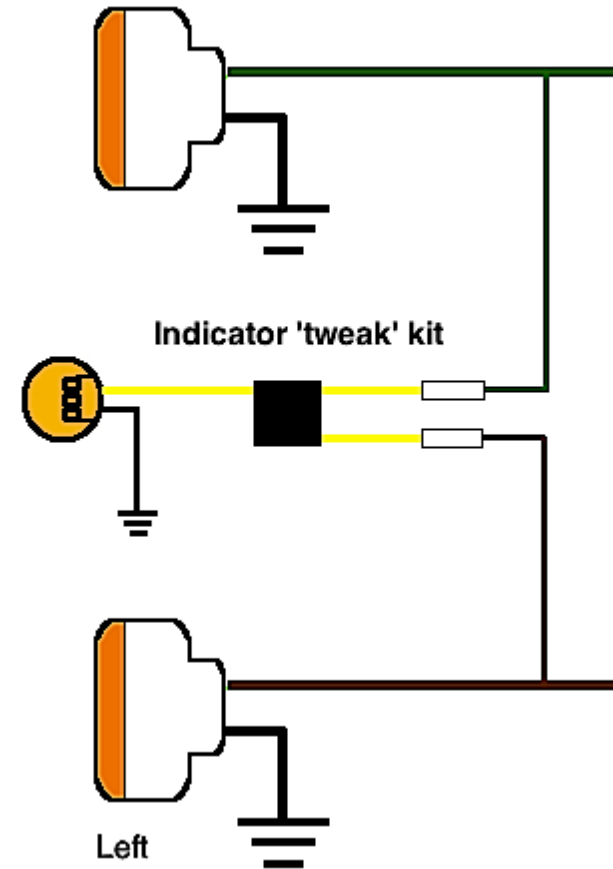
If you have fitted LED indicators and find that all four light up when you select left or right, the problem is most likely the indicator warning lamp. LEDs require very little current and if you have a filament bulb in the warning lamp, it will flow enough current to light the opposite set of indicators. The solution is a tweak kit that only allows current to flow to earth and not to the opposite pair of indicator lamps.

The kit is universal, so follow the wiring diagram below to fit to your machine

Right Standard Wiring (Typical)



Right Modified Wiring (Example)



DRG: ITK-1 Indicator tweak kit

©Rex's Speed Shop 2018. All Rights Reserved